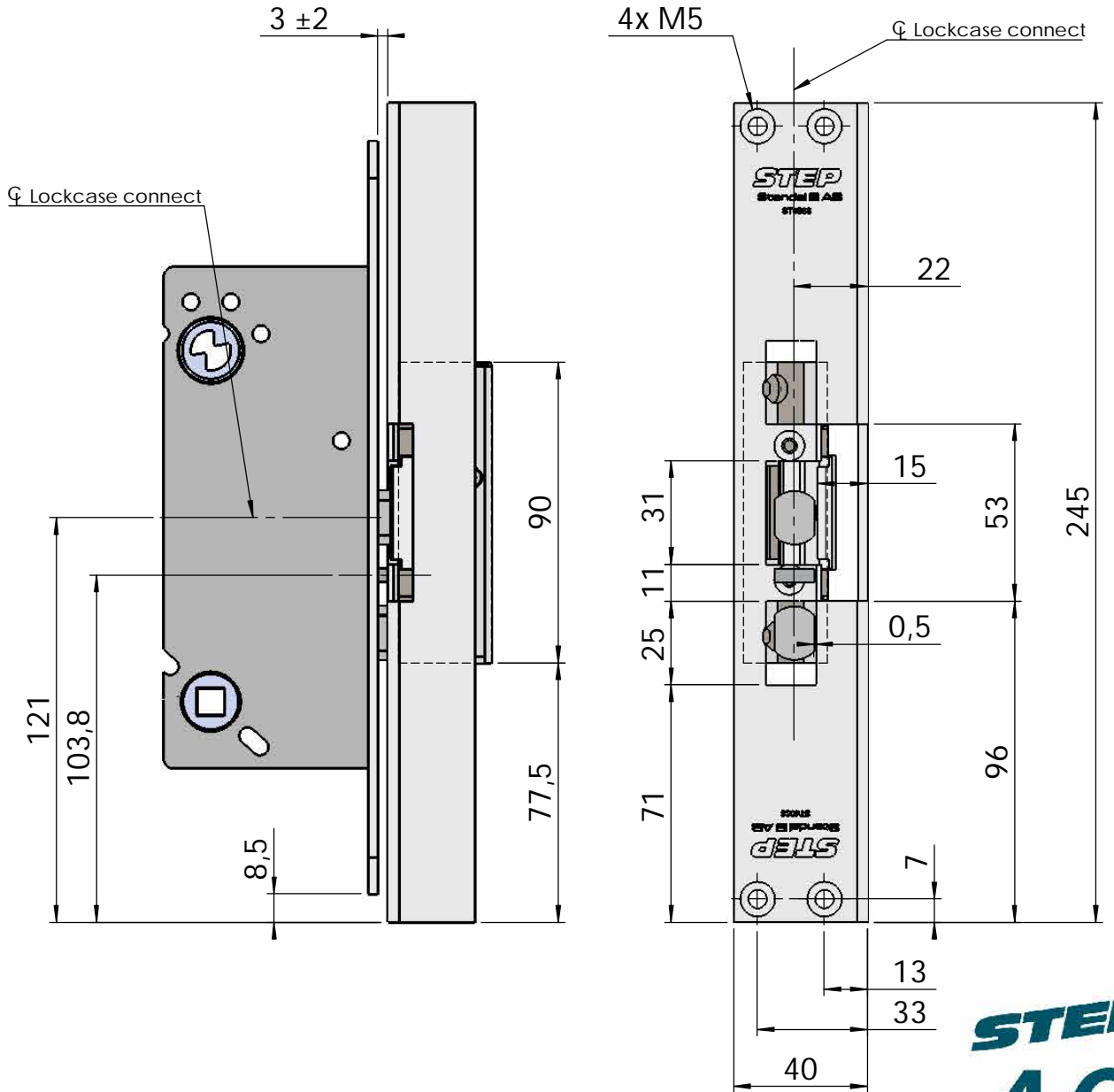
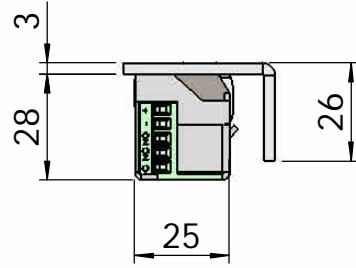




# Montering för Connect



This document shall not be copied without owners written allowance and its content shall not be exposed for third part nor be used for unauthorized purpose.

Owner <b>Stendals EI AB</b>	Title/Description STEP 40 med vinklad stolpe plös 15mm Montering för Connect
	Drawing no. <b>ST4038</b> Scale <b>1:2</b>