

1 Introduction

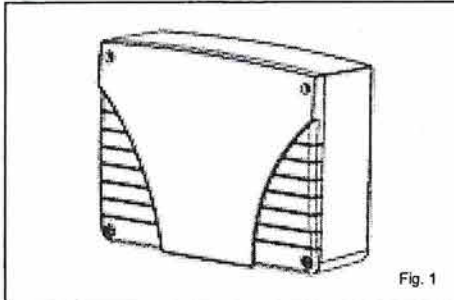


Fig. 1

F1001000093

4 RELAYS RECEIVER SEL2641R433-XPL4V



The receiver Erone type SEL2641R433-XPL4V (Fig. 1) is a AM/ASK single conversion superheterodyne receiver with integrated "Keeloq® Hopping code" decryption.

A special algorithm allows to keep synchronized transmitter and receiver.

Power supply: 230 Vac.

The receiver relays output, can drive many type of loads, up to 16A / 230 Vac.

The transmitter memorization can be carried out either with 2 push-buttons of the receiver or remotely, using only the keys of the transmitter. The setup of the remaining parameters can be done only with the 2 push buttons of the receiver. All the setting steps are displayed by a backlit LCD display.

The internal data can be saved/restored to/from an external memory.

2 Technical Specifications

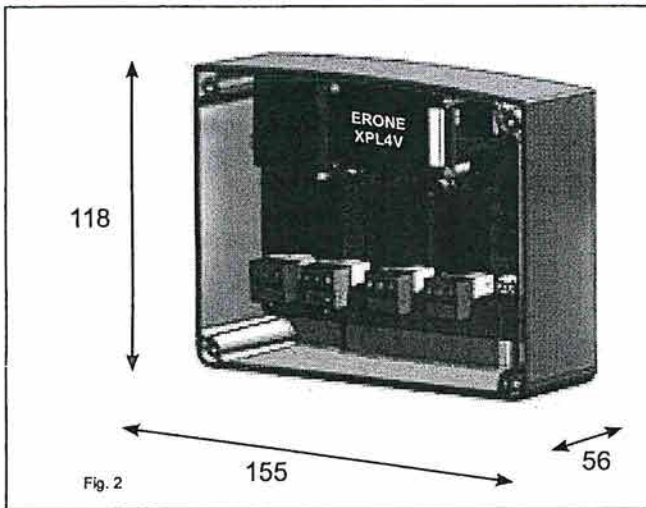


Fig. 2

Receiver type:	Superheterodyne.
Demodulation:	AM/ASK.
Operating frequency:	433.92 Mhz.
Sensitivity (for good signal):	-115 dBm.
Input load:	50 Ohm.
Power supply:	230 Vac - 50 Hz.
Current consumption	20 mA @230 Vac
Relay contacts	4 x NO/NC.
Max current on relay output:	16 A.
Memory capacity:	500 transmitters
Security protocol	Keeloq® Hopping code
N° of code combinations	2exp64
Operating temperature:	from -20 to +70 °C.
Overall dimensions (Fig. 2):	155 x 118 x 56 mm
Weight:	150 gr.
Relay operating mode	Pulse, step, timed, on-off
Delay	from 1 sec. to 24h: 59 min.
Enclosure protection	IP55

3 Mounting

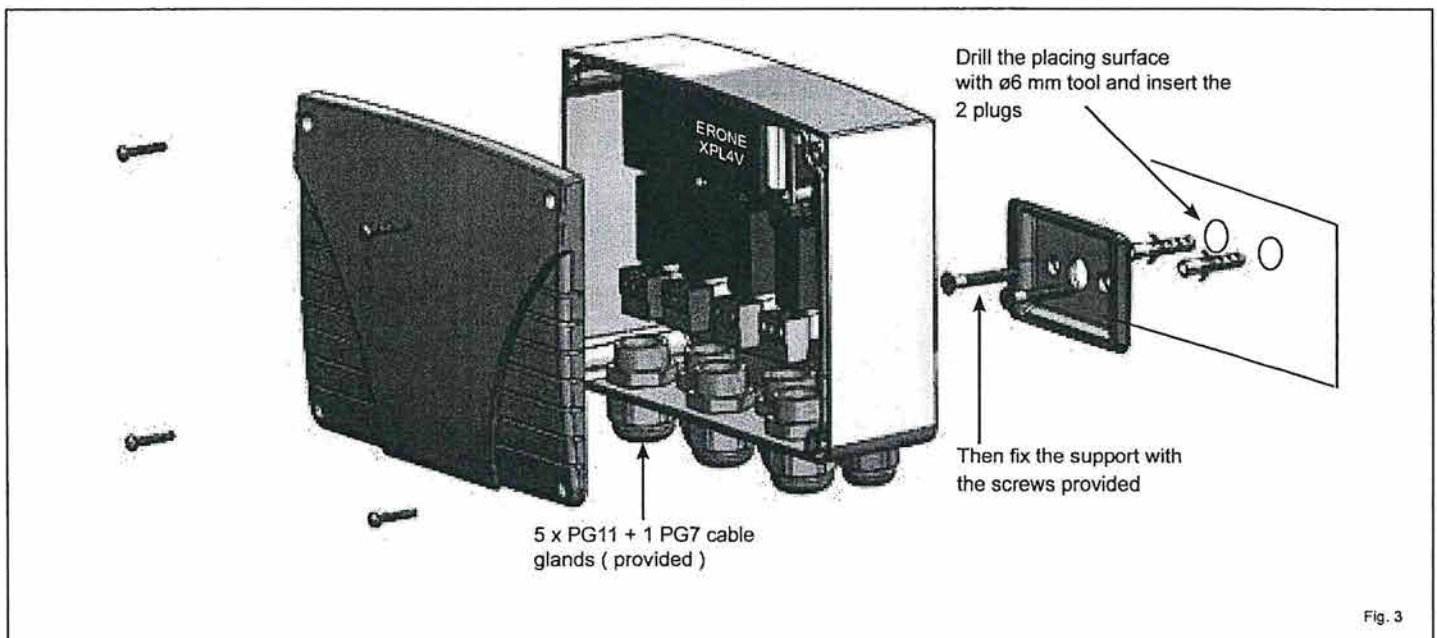


Fig. 3